



TemplinTM
preserving life

Blood Bank Centrifuges



Features

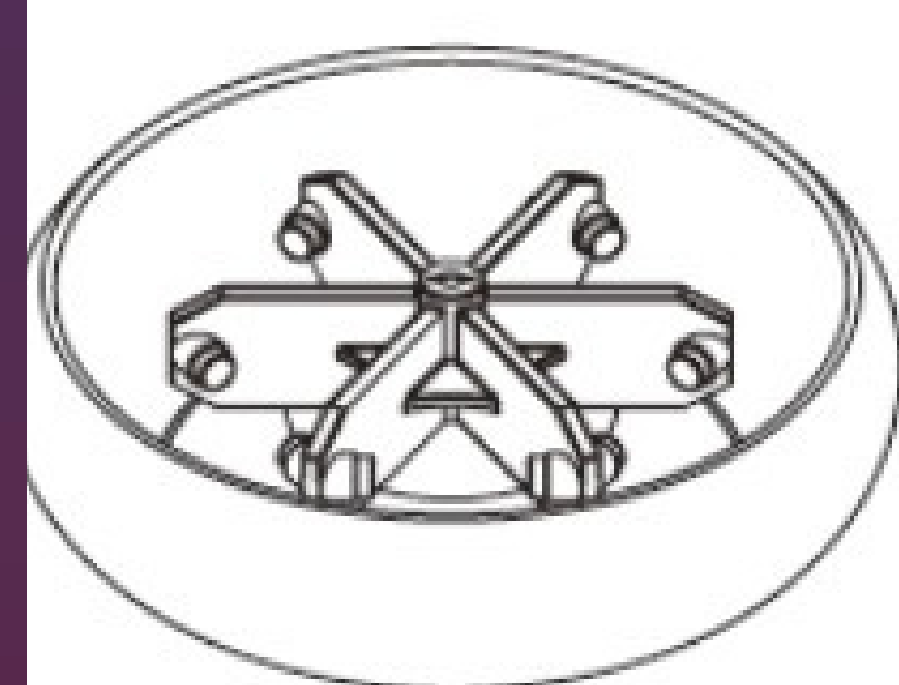
TBBC-6

- • Well recognized model in blood banks and large sample handling laboratories
- • Optimized for consistent separation of plasma, buffy coat, RBC, etc.
- • 6 blood bags per run
- • Windshield rotor to reduce the air resistance and enable to spin over 4,000 rpm
- • Dual ramp acceleration and deceleration profile for gentle and quick running
- • Ergonomically arranged control and large display with comprehensive information
- • Imbalance cutoff and tracking
- • Excellent temperature control
- • Easy to clean specially coated glossy surface

- **Max. RPM: 5,000 rpm**
- **Max RCF : 7,261 xg**
- **Max. Capacity : 6 x 1,000 mL**
- **Dimension (W x D x H): 816 x 906 x 965 mm**
- **Weight: 380 kg**

Max. RPM	5,000 rpm
>Max. RCF	7,261 xg
Max. capacity	6 x 1000 mL
ACC/DEC ramps	10/10 steps
Temperature range	-20°C to 40°C
Time control	< 100 hr, continuous
Program memory	100
Imbalance cutoff / tracking	Yes
Rotor identification	Automatic
Dimension (W x D x H, mm)	816 x 906 x 965
Weight without rotor	380 kg
Noise level	≤ 65 dB
Power requirement (VA)	5.0 kVA
Power input (V, Hz)	210~240V, 60 Hz (50 Hz optional)

Buckets/adapters for TBBC-6



WS1000-6

∠90°

Max RPM : 5,000 rpm

Size (W x D x H) :

384 x 340 x 99 mm(w/o windshield)

Incl. a windshield and a lid



Bucket

B1000S

Capacity: 1,000 mL

* Cap Available (optional)



Bucket

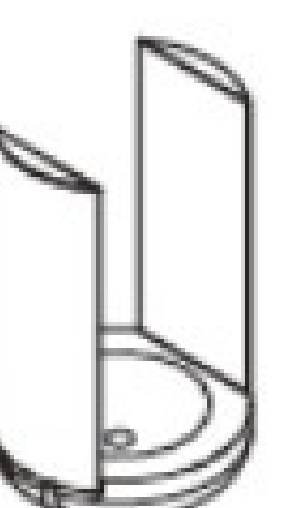
B1000

Capacity : 1,000 mL



Cap



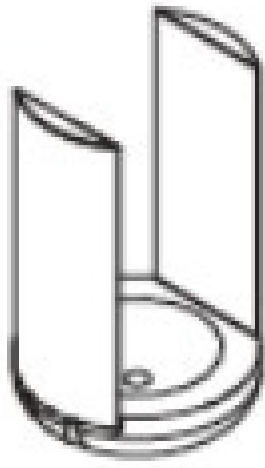
BL1000



Adaptor

TRB450

Buckets and tubetracks for TBBC-6

Bucket	Required Adaptor	Tube Capacity Bottom Type	Tube per Adaptor / Rotor	Bore (Ø x L,mm)	Max. height for tube fit (mm) (w/ cap)	Max. height for tube fit (mm) (w/o cap)	Max. RPM(rpm) Max. RCF (xg)
 B1000S / B1000	-	1,000 Flat	1 / 6	98.5 x 143	169.5	182.2	5,000 7,261
 BL1000 Radius :259.8 mm Bucket bore (Ø x L, mm) : 98.5 x 143 Max. height for tube fit: 170 mm(w/o cap), 193.7 mm(w/o cap)		450 mL Blood bag	1 / 6	65.5 x 135		178.7	5,000 6,842
		 TRB450					



Email Us

info@tempinstruments.com
sales@tempinstruments.com

Address: 260 Salmon St, London NW9 8XY, United Kingdom